

Configurator SPIKE Thermocouple

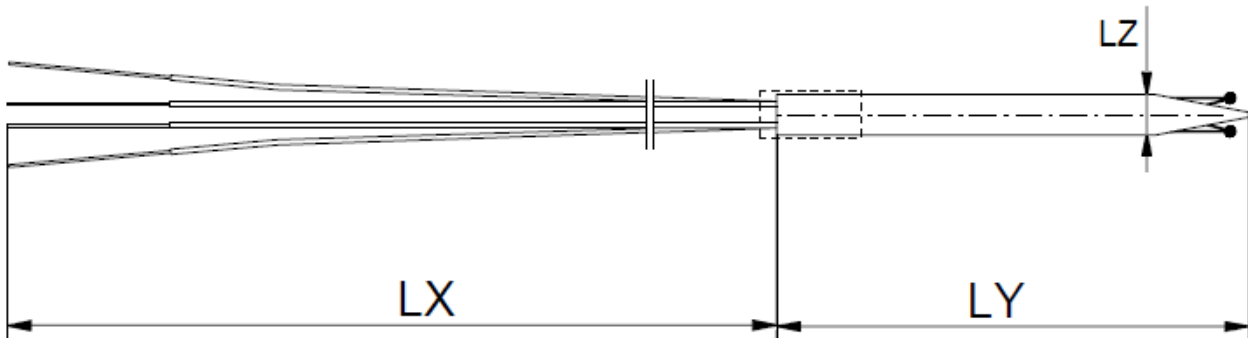
Name of Company:

Date:

Using the configurator

ID number: _____

- Fill in your company name and the current date.
- Fill in your ID item code for easy identification
- Fill out the form completely.
- Give Tempco NL a phonecall for any Q&R at +31(0)172-493141
- Please send completed form to waihey.liu@tempco-sensors.nl



Example SPIKE thermocouple

Materials

New noble metal wires

Refurbished (New for old)

Calibration

Type

S (Pt10%Rh-Pt)

R (Pt13%Rh-Pt)

B (Pt6%Rh-Pt30%Rh)

Wire

0.50 mm

0.35 mm

Measurement points

1 junctions

2 junctions

Other.. please provide details on page 3

Unit selection

millimeter, mm

inch, in

Nominal length (LX + LY)

See example drawing

TC1

TC2

Other.. please provide details on page 3

Ceramic insulation rod length

Enter length LY

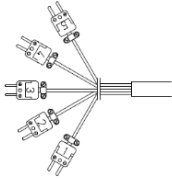
Enter diameter LZ

Termination connection

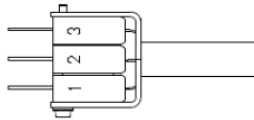
Enter length LX

Cold end termination

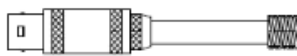
mini TC connectors



bracket with connectors



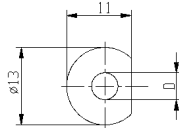
LEMO connector



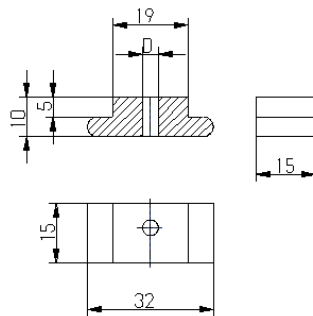
Open lead wire
unisolated 10 mm

Transition

Flange



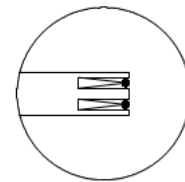
Mould



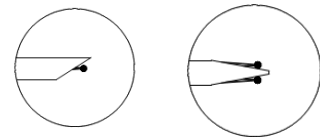
Heatshrink only

Tip design

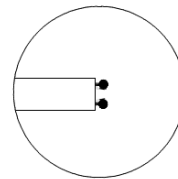
Castle end



Arrow (single / duplex)



Unisolated



Please specify complete details and remarks :